



Optidrive Applications Support Library

Application Note	AN-ODE-2-006
Title	Configuring Voltage and Current Reference Inputs
Related Products	Optidrive E2
Level 1	1 – Fundamental - No previous experience necessary 2 – Basic – Some Basic drives knowledge recommended 3 – Advanced – Some Basic drives knowledge required 4 – Expert – Good experience in topic of subject matter recommended

Overview

The speed of the Optidrive E2 can be controlled by either voltage based or current based reference signals. These signals can originate from a locally mounted potentiometer or from a remote intelligent control system (such as a PLC).

This applications note explains how the analog reference values are connected to the drive and how the drive is configured to understand the format of the signal it is receiving.

Parameters

P-16: Analog Input 1 (Terminal 6) Format:

This parameter allows the user to configure the format of the signal connected to analog input 1. The following formats are supported:

U 0-10	Voltage input, 0V ... 10V (Uni-polar)
b -10-10	Voltage input, -10V ... 10V (Bi-polar)
A 0-20	Current input, 0mA ... 20mA
t 4-20	Current input, 4mA ... 20mA – Drive trip below 3mA
r 4-20	Current input, 4mA ... 20mA – Drive Stop below 3mA
t 20-4	Current input, 20mA ... 4mA – Drive trip below 3mA
r 20-4	Current input, 20mA ... 4mA – Drive Stop below 3mA

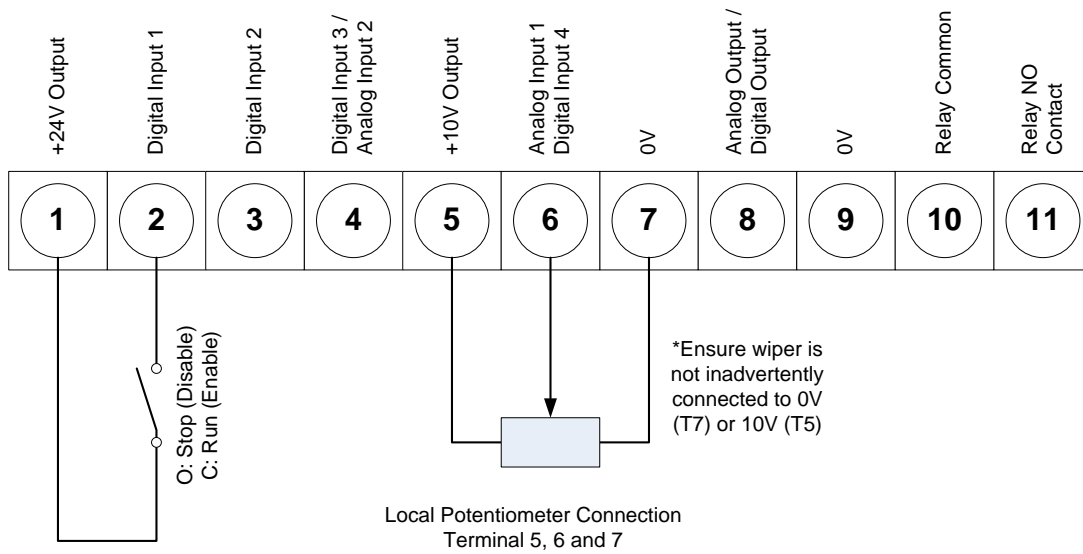
When set to 0-10V all negative voltages will give zero speed. When set to -10-10V all negative voltages will result in the drive running with negative (reverse) speed. Speed is proportional to the magnitude of the input voltage in both directions.

Typical configurations for the analog input (Terminal 6) are shown below.

Example 1: Local Potentiometer using drive internal supply voltage.

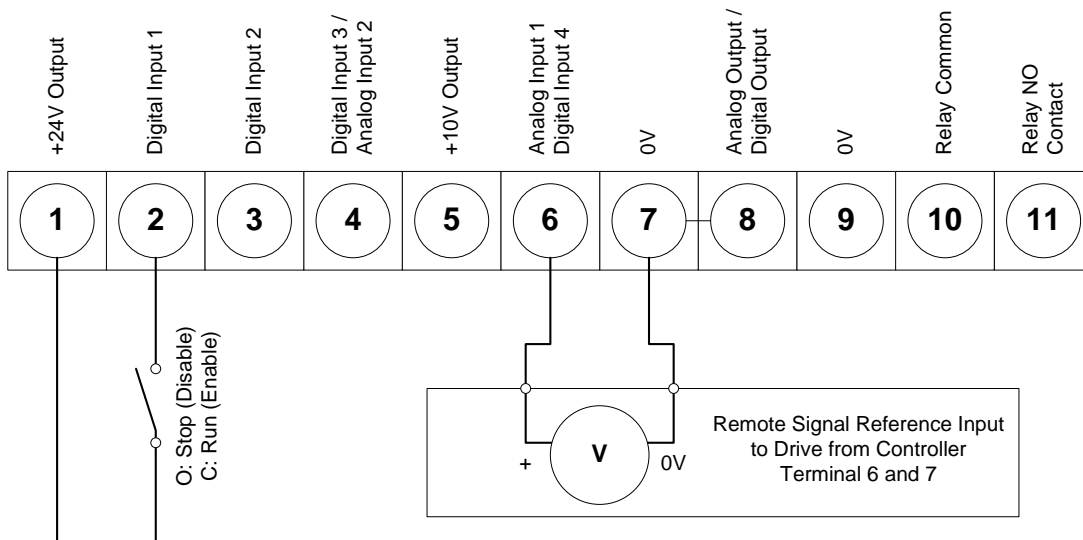
Otidrive E2 is configured with the internal +10V uni-polar supply for connection to a local Potentiometer.

P-16 = **U 0- 10**



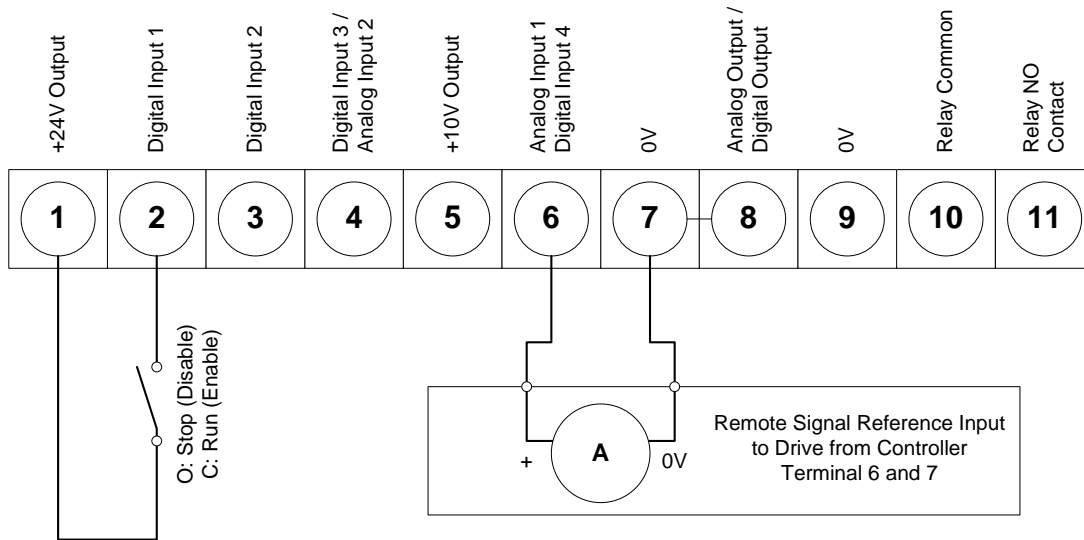
Example 2: Remote Signal Reference (voltage Source).

P-16 = **U 0- 10, b - 10- 10** (Matched to source)



Example 3: Remote Signal Reference (Current Source).

P-16 = **A 0-20**, **t 4-20**, **r 4-20**, **t 20-4**, **r 20-4** (Matched to source)



P-47: Analog Input 4 (Terminal 4) Format:

This parameter allows the user to configure the format of the signal connected to analog input 2. The following formats are supported:

U 0-10	Voltage input, 0V ... 10V (Uni-polar)
A 0-20	Current input, 0mA ... 20mA
t 4-20	Current input, 4mA ... 20mA – Drive trip below 3mA
r 4-20	Current input, 4mA ... 20mA – Drive Stop below 3mA
t 20-4	Current input, 20mA ... 4mA – Drive trip below 3mA
r 20-4	Current input, 20mA ... 4mA – Drive Stop below 3mA

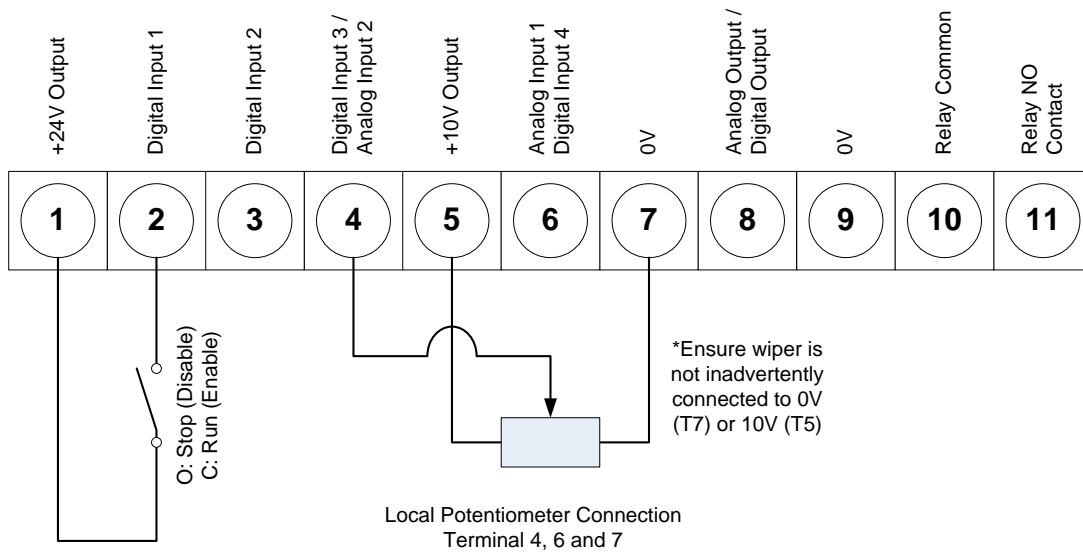
When set to 0-10V all negative voltages will give zero speed.

Typical configurations for the analog input (Terminal 4) are shown below.

Example 1: Local Potentiometer using drive internal supply voltage.

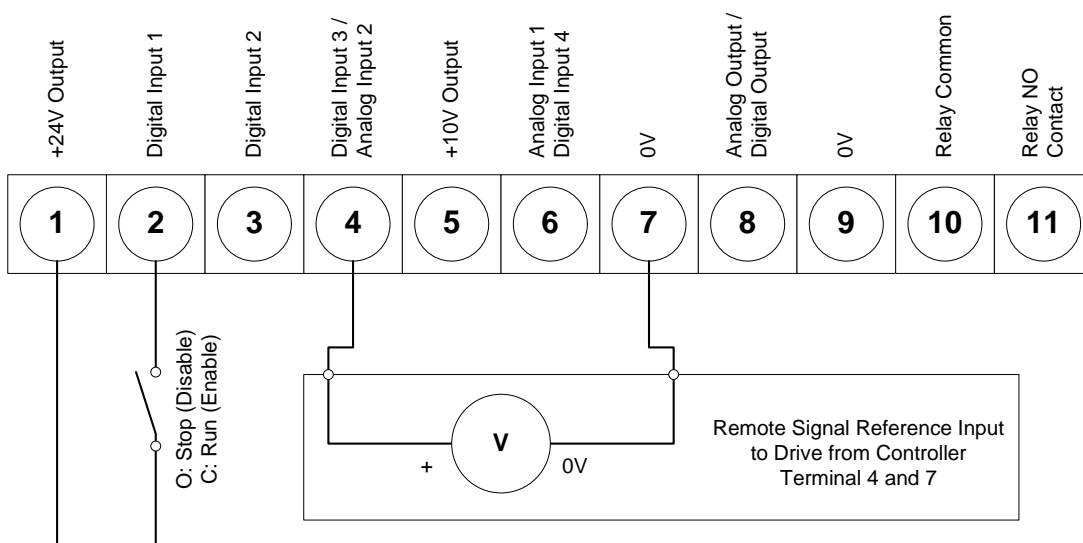
Otidrive E2 is configured with the internal +10V uni-polar supply for connection to a local Potentiometer.

P-47 = **U 0- 10**



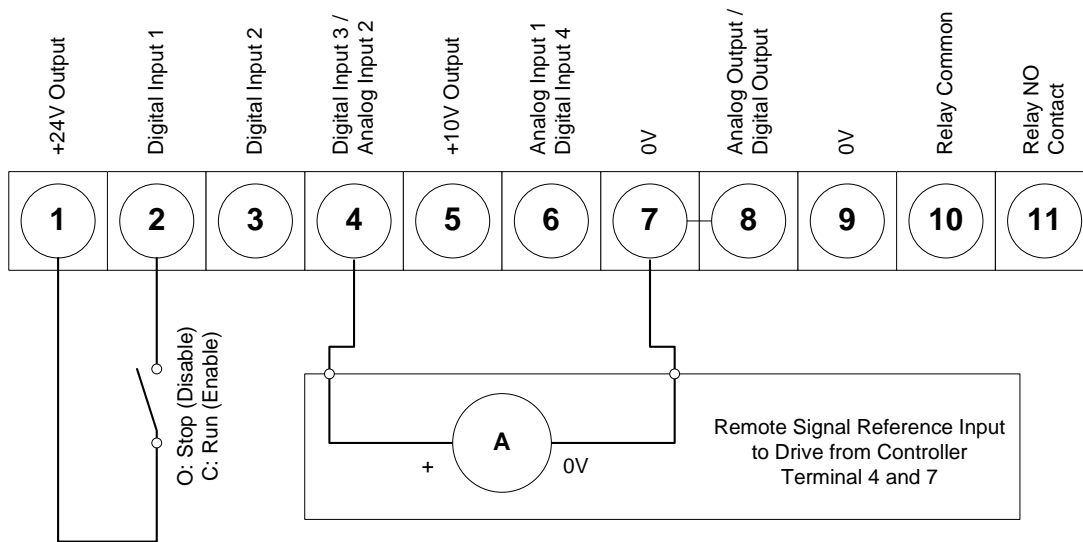
Example 2: Remote Signal Reference (voltage Source).

P-47 = **U 0- 10** (Matched to source)



Example 3: Remote Signal Reference (Current Source).

P-47 = A 0-20, t 4-20, r 4-20, t 20-4, r 20-4 (Matched to source)



P-35: Analog Input 1 (Terminal 6) Scaling:

This parameter is used to scale the analog input 1 prior to being applied as a reference to the drive. For example, if P-16 is set for 0 – 10V, and the scaling factor is set to 200.0%, a 5 volt input will result in the drive running at maximum speed.

P-39: Analog Input 1 (Terminal 6) Offset:

This parameter defines an offset for the analog input 1, as a percentage of the full range of the input. A positive offset is deducted from the incoming analog signal and a negative offset is added to the signal.

For example, if P-16 is set for 0 – 10V, and the analog offset is set to 10.0%, then 1 volt (10% of 10V) will be deducted from the incoming analog reference prior to it being applied within the drive.

Note

No offset or scaling options are provided for analog input 2.

P-15: Digital Input Function select.

Set for a function that gives analog input 1 control or selectable analog input 1 / analog input 2 controls.

Appendix

Revision History			
Issue	Comments	Author	Date
01	Document Creation	JP	09/02/12
02	Revised to new format	KB	24/04/14