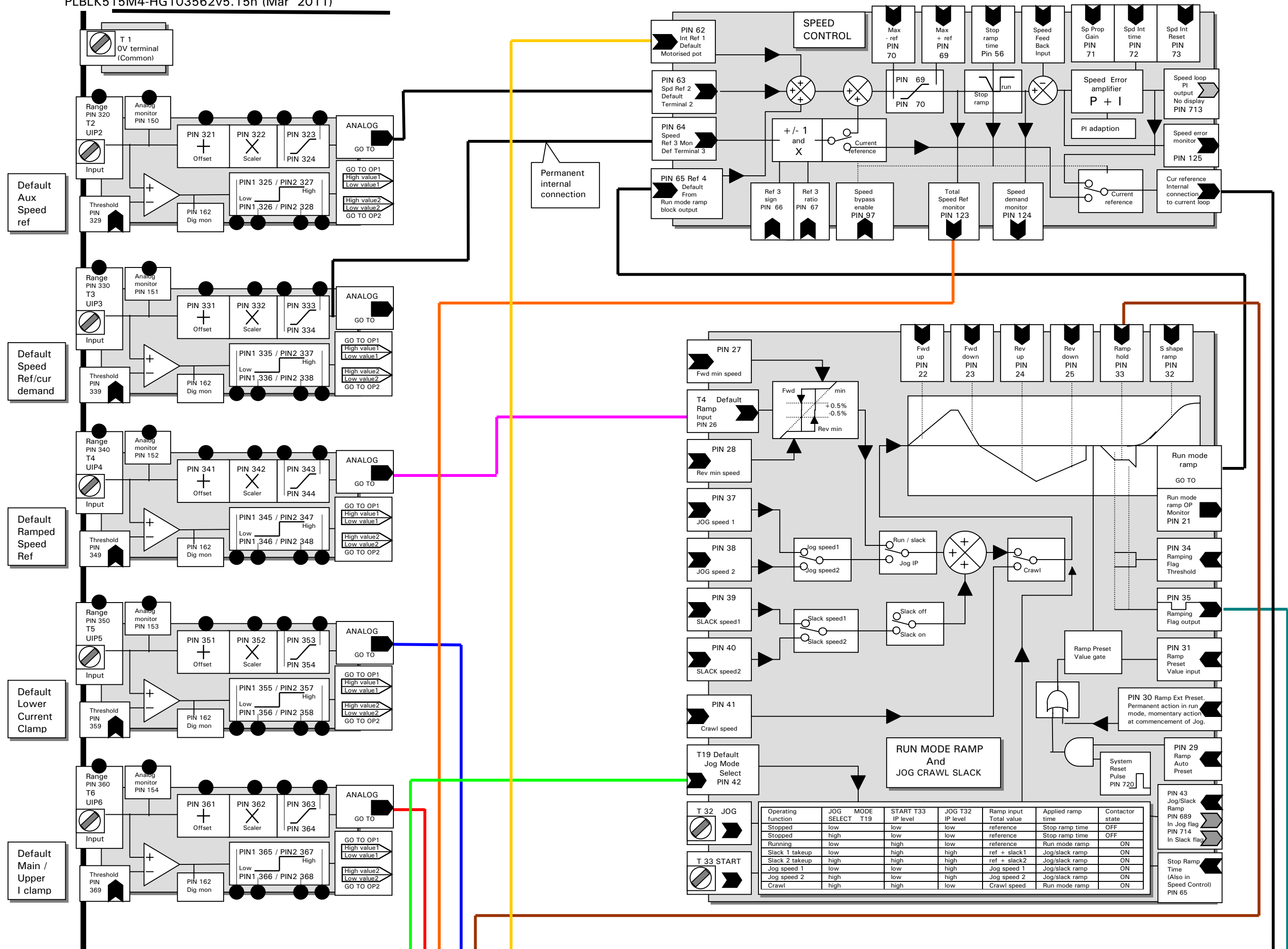


1 Default Block Diagram

PLBLK515M4-HG103562v5.15h (Mar 2011)



Default block diagram 2

