

# Installation Guide IP66 Sun Shade



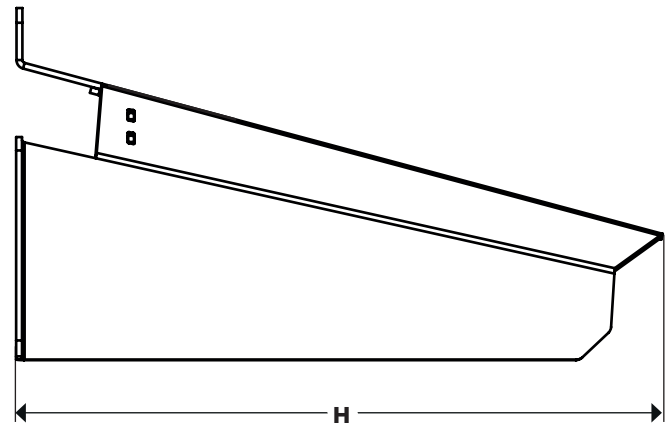
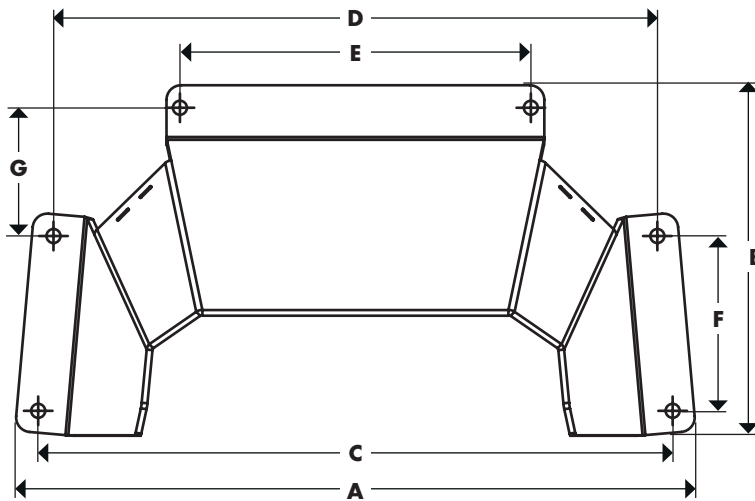
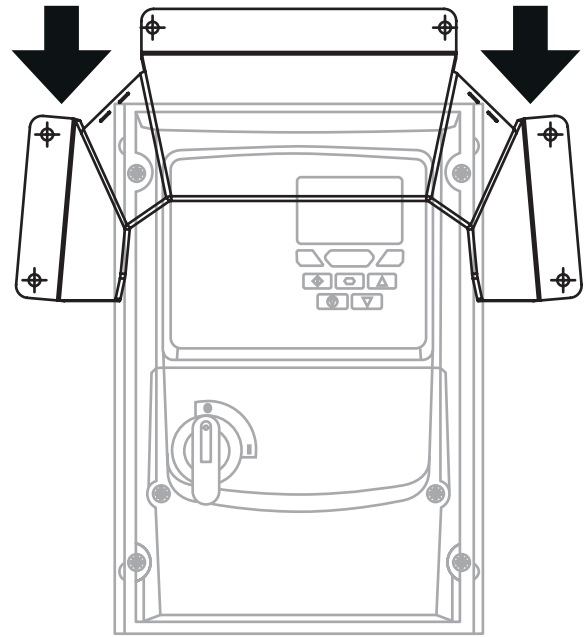
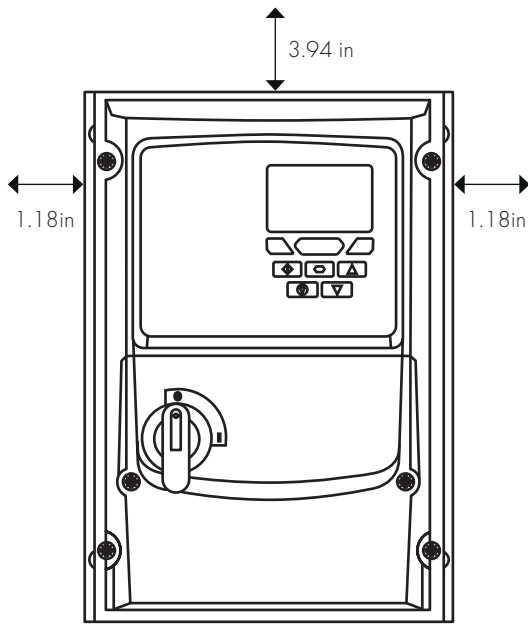
An IP66 Sun Shade should always be fitted (in accordance with these instructions) where the product is installed outdoors, and there is a possibility for the display of the drive to come into the path of direct sunlight or where there is possibility of snow, ice, or other particles accumulating on the top of the drive.

## Recommended clearance before installation

Ensure you have at least 1.18in either side and 3.94 in above the drive to allow sufficient space for installation of the IP66 Sun Shade.

## Installing the IP66 Sun Shade

Install the drive following the instructions in the User Guide. Place the IP66 Sun Shade over the drive and slide down until it slots on top of the heat sink, then fix in place using the mounting holes.



Drive Size	A		B		C		D		E		F		G		H		Hole Size		Weight	
	mm	in	mm	in	mm	in	mm	in	mm	in	mm	in	mm	in	mm	in	mm	in	Kg	lb
1	232.0	9.13	119.7	4.71	217.0	8.54	206.5	8.13	120.0	4.72	59.8	2.35	43.9	1.73	225.0	8.9	4.8	0.19	1	2.2
2	275.5	10.85	139.7	5.5	259.6	10.22	247.4	9.74	140.0	5.51	69.7	2.74	48.9	1.93	285.0	11.2	4.8	0.19	1.5	3.3
3 & 4	340.7	13.41	169.7	6.68	324.7	12.78	307.3	12.1	180.0	7.09	99.6	3.92	48.9	1.93	355.0	14.0	4.8	0.19	2.5	5.5

**Bardac Drives**  
40 Log Canoe Circle  
Stevensville, MD 21666  
(410) 604-3400



82-SUNHT-IN\_V1.00