



40 Log Canoe Circle, Stevensville, MD 21666
 (410) 604-3400 | bardac.com | driveweb.com

APPLICATION NOTE

Drive Applications Support Library

Application Note	AN-P2-010
Title	Additional relay output option modules
Related Products	P2 Series AC Drives
Level: 1	<ul style="list-style-type: none"> 1 - Fundamental - No previous experience necessary. 2 - Basic - Some basic drives knowledge recommended. 3 - Advanced - Some basic drives knowledge required. 4 - Expert - Good experience in topic of subject matter recommended.

Overview:

P2 Series drives are designed with two standard user relay outputs. Where additional relays are required, the P2 can be fitted with an option to extend the drives relay count. The part numbers for options modules with extended relay functionality that are designed for the P2 are given below:

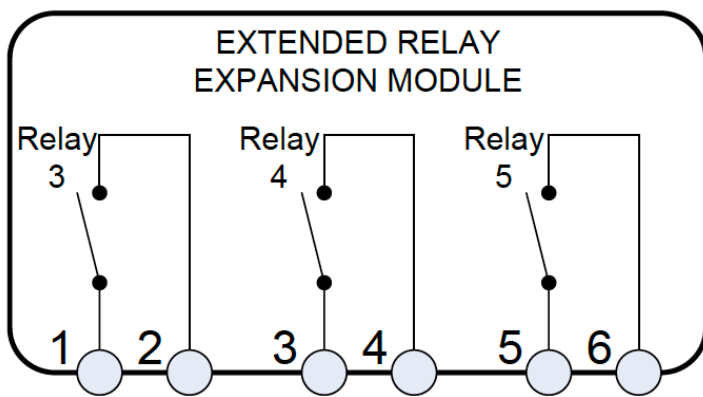
Option Part Number	Additional Relays Provided	Notes
T2-CASCD-IN	3	Fitted to P2 option module slot
T2-EXTIO-IN	1	Additional Digital Inputs (3) also provided Fitted to P2 option module slot
T2-CANIO-IN	3	Additional Digital Inputs (3) also provided Fitted to drive P2 RJ45 Communications Port

This application note details the use and configuration of the additional relays for each of the option module mentioned above. If additional I/O is provided in the same option module then this is detailed in the option module user guide.

Extended Relay Option (T2-CASCD-IN):

Pin Out Configuration

Terminal	Short Name	Long Name	Contact Rating
1	RL3-C	Relay 3 Output Common	Relay contacts, 250V AC, 30V DC, 5A
2	RL3-NO	Relay 3 Output NO	Relay contacts, 250V AC, 30V DC, 5A
3	RL4-C	Relay 4 Output Common	Relay contacts, 250V AC, 30V DC, 5A
4	RL4-NO	Relay 4 Output NO	Relay contacts, 250V AC, 30V DC, 5A
5	RL5-C	Relay 5 Output Common	Relay contacts, 250V AC, 30V DC, 5A
6	RL5-NO	Relay 5 Output NO	Relay contacts, 250V AC, 30V DC, 5A



The Option module is slotted into the option module slot on the P2 drive.

Parameter Configuration

For P2 Series drives, the extended relay module can be configured to run with some default settings applied to the relay functionality, or they can be programmed via the (Optional) drive PLC programming functionality and the drive programming software.

Parameter P9-41 (Relay 3, 4, 5 function select) is used to configure the operation of the relays. The table below shows the relay configuration summary for P9-41.

P9-41	Function Selected
0	Default Operation
1	PLC Logic Defined Operation

When P9-41 is set to 0 (default) the relay functionality is pre-defined by the drive with the following functions.

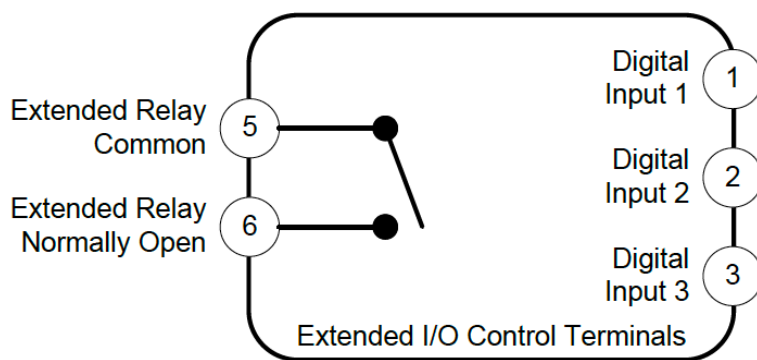
Relay No.	Function
Relay 3	Drive Healthy Indication (close on Healthy)
Relay 4	Drive Fault Indication (close on fault)
Relay 5	Drive Running Indication (close on enable)

Note that the drive standard relays (relays 1 and 2) are still fully configurable via parameters P2-15 and P2-18 for additional flexibility / functionality.

Extended Input / Output Option (T2-EXTIO-IN) :

Pin Out Configuration

Terminal	Short Name	Long Name	Terminal Rating
1	DI6	Digital Input 6	Refer to User Guide
2	DI7	Digital Input 7	Refer to User Guide
3	DI8	Digital Input 8	Refer to User Guide
4	-	NC	Relay contacts, 250V AC, 30V DC, 5A
5	RL3-C	Relay 3 Output Common	Relay contacts, 250V AC, 30V DC, 5A
6	RL3-NO	Relay 3 Output NO	Relay contacts, 250V AC, 30V DC, 5A



The Option module is slotted into the option module slot on the P2 drive.

Parameter Configuration

For P2 Series drives, the extended I/O module can be configured to run with a default 'Drive Healthy' settings applied to the relay functionality or it can be programmed via the (Optional) drive PLC programming functionality and the drive programming software.

Parameter P9-41 (Relay 3 function select) is used to configure the operation of the relay. The table below shows the relay configuration summary for P9-41.

P9-41	Function Selected
0	Default Operation
1	PLC Logic Defined Operation

When P9-41 is set to 0 (default) the relay functionality is pre-defined as the Drive Healthy Indication (close on Healthy).

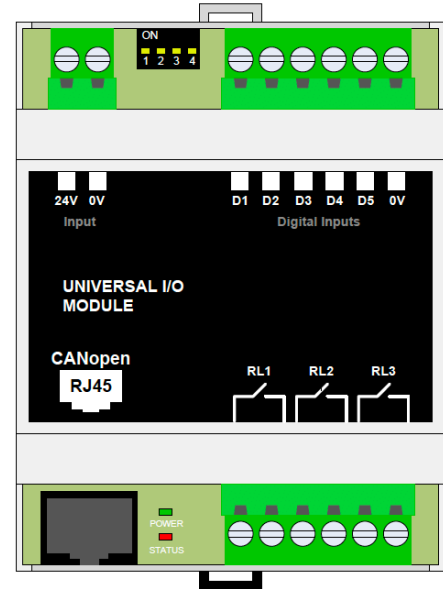
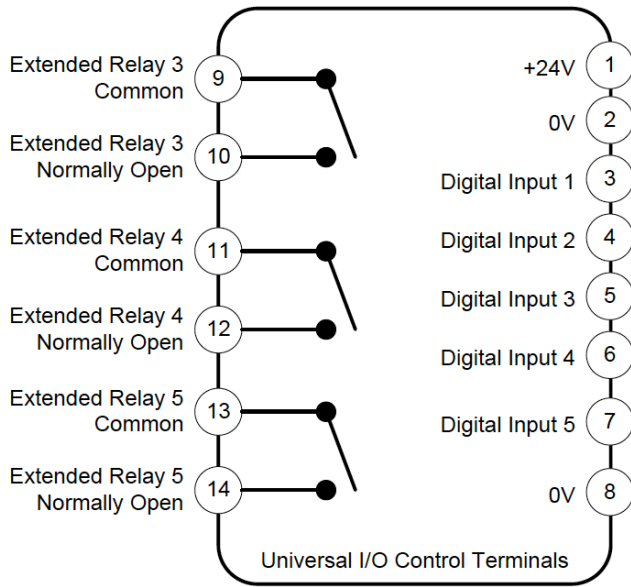
Note that the drive standard relays (relays 1 and 2) are still fully configurable via parameters P2-15 and P2-18 for additional flexibility / functionality.

Universal I/O Module (T2-CANIO-IN) :

Pin Out Configuration

Terminal	Short Name	Long Name	Terminal Rating
1	+24V	+24V Input	Refer to User Guide
2	0V	0V Input	Refer to User Guide
3	DI1	Extended Digital Input 1	Refer to User Guide
4	DI2	Extended Digital Input 2	Refer to User Guide
5	DI3	Extended Digital Input 3	Refer to User Guide
6	DI4	Extended Digital Input 4	Refer to User Guide
7	DI5	Extended Digital Input 5	Refer to User Guide
8	0V	0V Input	Refer to User Guide
9	RL3-C	Relay 3 Output Common	Relay contacts, 250V AC, 30V DC, 5A
10	RL3-NO	Relay 3 Output NO	Relay contacts, 250V AC, 30V DC, 5A

Terminal	Short Name	Long Name	Terminal Rating
11	RL4-C	Relay 4 Output Common	Relay contacts, 250V AC, 30V DC, 5A
12	RL4-NO	Relay 4 Output NO	Relay contacts, 250V AC, 30V DC, 5A
13	RL5-C	Relay 5 Output Common	Relay contacts, 250V AC, 30V DC, 5A
14	RL5-NO	Relay 5 Output NO	Relay contacts, 250V AC, 30V DC, 5A



The Option module is connected to the RJ45 communication port on the drive. The option module interfaces with the CanOpen communication pins on the drive such that the option module and CanOpen communication to other devices cannot be used simultaneously. The drive Modbus communication Pins on the RJ45 connector can still be used to interface to a Modbus master.

Parameter Configuration

For P2 Series drives, the universal I/O module can be configured to run with some default settings applied to the relay functionality, or they can be programmed via the (Optional) drive PLC programming functionality and the drive programming software.

Parameter P9-41 (Relay 3, 4, 5 function select) is used to configure the operation of the relays. The table below shows the relay configuration summary for P9-41.

P9-41	Function Selected
0	Default Operation
1	PLC Logic Defined Operation

When P9-41 is set to 0 (default) the relay functionality is pre-defined by the drive with the following functions.

Relay No.	Function
Relay 3	Drive Healthy Indication (close on Healthy)
Relay 4	Drive Fault Indication (close on fault)
Relay 5	Drive Running Indication (close on enable)

Note that the drive standard relays (relays 1 and 2) are still fully configurable via parameters P2-15 and P2-18 for additional flexibility / functionality.

Appendix:

Revision History			
Version	Comments	Author	Date
1	Document Creation	JP	02/08/12
<p><i>**This application note was originally created by Invertek Drives Limited. Bardac Corporation does not claim responsibility for its contents. By using this application note, you accept that Bardac Corporation has no liability for any damage or claims resulting from the use of the information contained herein.**</i></p>			