

## Enclosure Product Manual. DC Motor Control

A range of enclosures for professional use, available in seven models. From 0.50KW to 1.8KW in either forward only or reversing variants (Suffix ER). Features include, Mains On/Off switch, dual voltage supply, zero speed interlocked reversing, dynamic braking, set speed potentiometer with graduated scale. These enclosures contain the 370, 400, 800, and 1200 controllers with extensive specification and versatility.

Please also refer to the appropriate Drive Manual.

### MECHANICAL DIMENSIONS

#### Fusing

##### Internal fuses

370, 400, 400ER

Part No. CH0036A3

5 x 20, 6.3A, 50 I2t

800E 800ER

1200E 1200ER

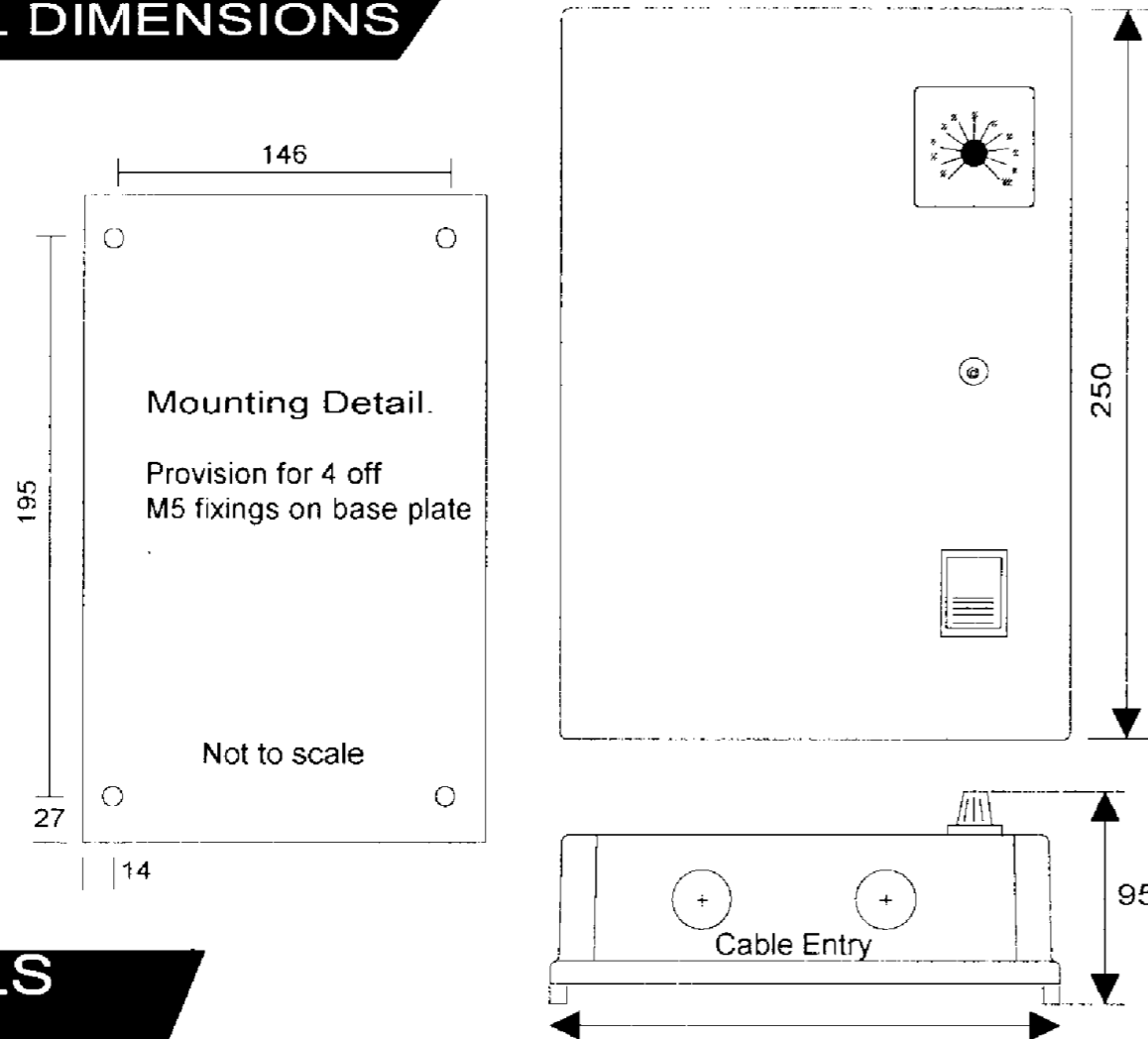
Part No. CH00620A

6 x 32, 20A, 365 I2t

##### External fuses

HRC type minimum

1.5 x arm current



### ALL MODELS

AC Supply voltage.

110/240V

Armature Voltage Output

90/180V DC

Field Voltage.

100/210V DC

Controls- On/Off supply rocker switch. Set speed potentiometer. Integral AC supply semiconductor fuse in drive module.

Reversing models have Forward, Stop, Reverse toggle switch.

#### 370E

Max Armature current 3.7A 0.50KW

#### 400E, 400ER

Max Armature current 4.0A 0.55KW

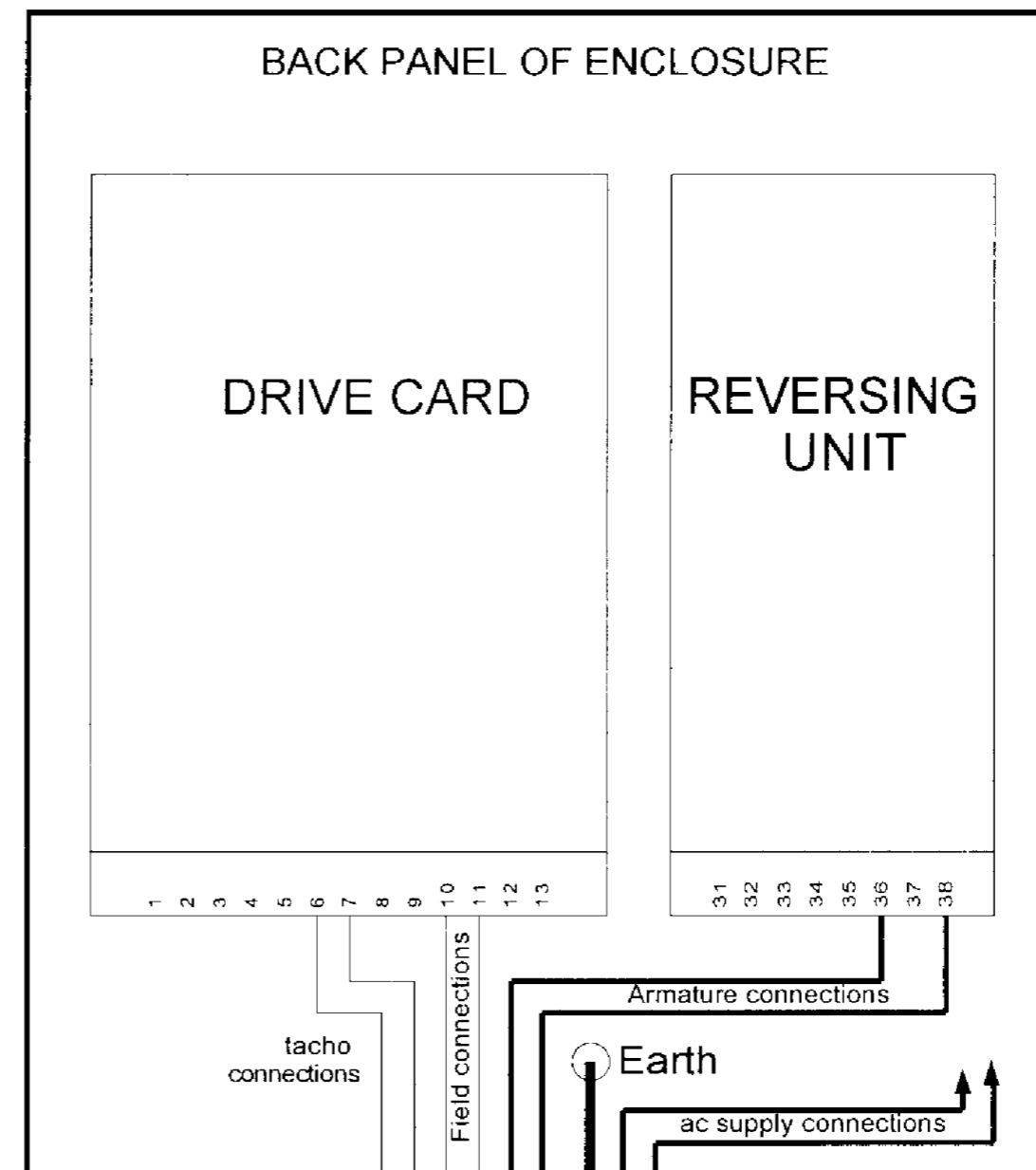
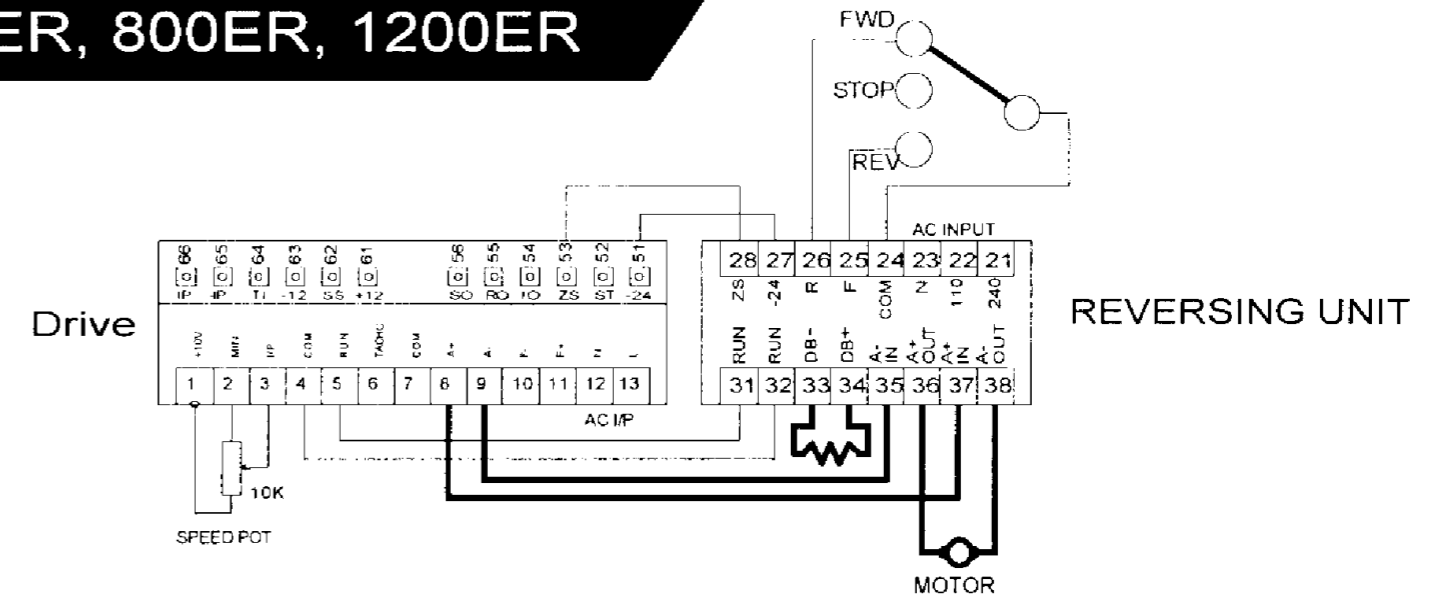
#### 800E, 800ER

Max Armature current 8.0A 1.1KW

#### 1200E, 1200ER

Max Armature current 12.0A 1.8KW

## 400ER, 800ER, 1200ER



SPRINT ELECTRIC LTD. DOES NOT ACCEPT ANY LIABILITY WHATSOEVER FOR THE INSTALLATION, FITNESS FOR PURPOSE OR APPLICATION OF ITS PRODUCTS. IT IS THE USERS RESPONSIBILITY TO ENSURE THE UNIT IS CORRECTLY USED AND INSTALLED.

HEALTH AND SAFETY AT WORK. ELECTRICAL DEVICES CONSTITUTE A SAFETY HAZARD. IT IS THE RESPONSIBILITY OF THE USER TO ENSURE COMPLIANCE WITH ANY ACTS OR BYLAWS IN FORCE. ONLY SKILLED PERSONS SHOULD INSTALL THIS EQUIPMENT.

**Bardac Corporation**  
40 Log Canoe Circle  
Stevensville, MD 21666 USA  
Phone: (410)604-3400 Fax: (410)604-3500  
www.bardac.com

Connect incoming AC supply to rocker switch. Note these units are factory preset for 240V AC operation. For use with 110V AC supply change mains selector jumper on drive unit AND move AC input from terminal 21 to terminal 22 on the reversing unit.

**Bardac**  
*drives*

