

DRAWING LEGEND

NOTES:

DRAWING SYMBOLS AND LAYOUT ADHERE TO NEC AND NFPA79 STANDARDS.

CUSTOMER CONNECTIONS ARE SHOWN AS DASHED LINES.

CONTACT COIL CROSS REFERENCE IS INDICATED AS SHEET NUMBER AND SHEET COORDINATE INCLUDED WITH EACH COIL REFERENCE.

N.C. CONTACTS SHOWN AS UNDERLINED.

TIMED CONTACT SHOWN WITH '^'.

ISS	DATE	APPROVED
A		
B		
C		
D		
E		

<p>40 Log Canoe Circle, Stevensville, MD 21666 phone (410) 604-3400 fax: (410) 604-3500 email: info@bardac.com</p>	SHT. TITLE	SUPPLY DISTRIBUTION	CUST.	CUSTOMER NAME	DRN.	ENGR 99 JAN 99	DWG. NO.	HF__
	DWG. TYPE	DRIVE ENCLOSURE/PANEL CIRCUIT DIAGRAM	DIST.	DISTRIBUTOR	DESIGN	ENGR 99 JAN 99	DWG. ISS.	
	JOB TITLE	SLXLOWHP MODULUS SYSTEM	P.O.	999999	SCALE	DO NOT SCALE	JOB NO.	9__
	LOCATION		SITE, STATE, ZIP, PHONE		SIZE	A	SHT.	1 OF 3

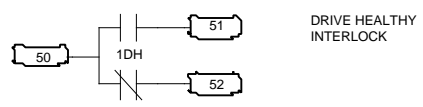
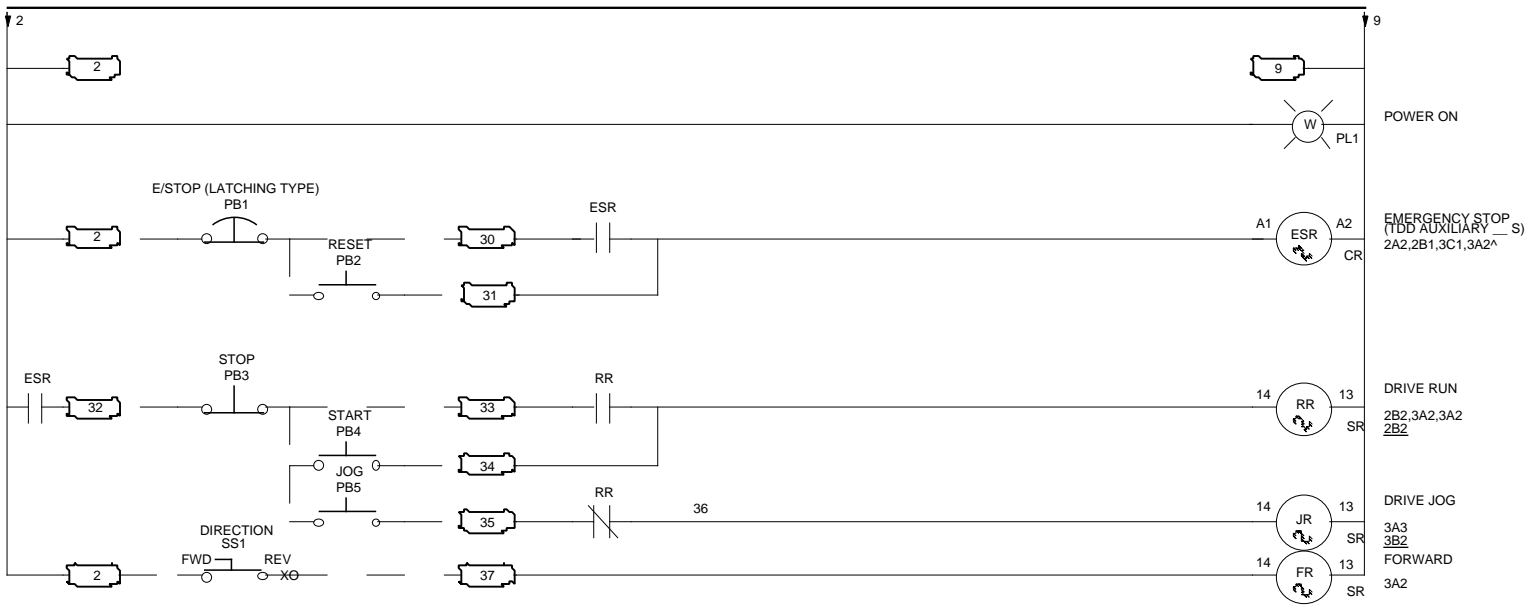
1

2

3

4

120VAC
CONTROL
SHT. 1



A

A

B

B

C

C

D

D

Bardac

40 Log Canoe Circle, Stevensville, MD 21666
phone (410) 604-3400 fax: (410) 604-3500
email: info@bardac.com

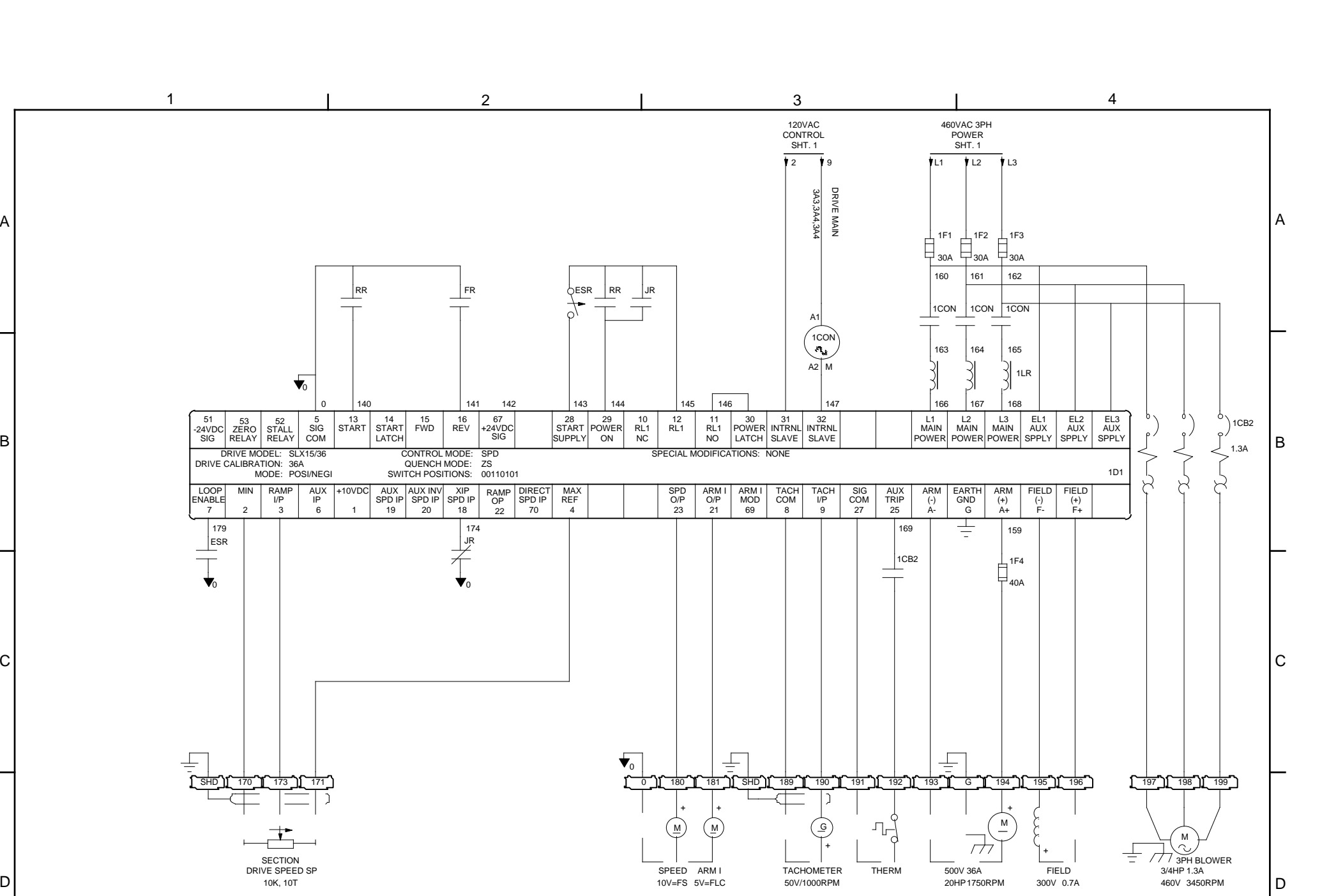
SHT. TITLE	120VAC LADDER LOGIC	CUST.	CUSTOMER NAME	DRN.	ENGR 99 JAN 99	DWG. NO.	HF__
DWG. TYPE	DRIVE ENCLOSURE/PANEL CIRCUIT DIAGRAM	DIST.	DISTRIBUTOR	DESIGN	ENGR 99 JAN 99	DWG. ISS.	
JOB TITLE	SLXLOWHP MODULUS SYSTEM	P.O.	999999	SCALE	DO NOT SCALE	JOB NO.	9__
LOCATION			SITE, STATE, ZIP, PHONE	SIZE	A	SHT.	2 OF 3

1

2

3

4



51	53	52	5	13	14	15	16	67	28	29	10	12	11	30	31	32	L1	L2	L3	EL1	EL2	EL3	
-24VDC SIG	ZERO RELAY	STALL RELAY	SIG COM	START	START LATCH	FWD	REV	+24VDC SIG	START SUPPLY	POWER ON	RL1 NC	RL1	RL1 NO	POWER LATCH	INTRNL SLAVE	INTRNL SLAVE	MAIN POWER	MAIN POWER	MAIN POWER	AUX SPPLY	AUX SPPLY	AUX SPPLY	
DRIVE MODEL: SLX15/36												CONTROL MODE: SPD						SPECIAL MODIFICATIONS: NONE					
DRIVE CALIBRATION: 36A												QUENCH MODE: ZS											
MODE: POSI/NEGI												SWITCH POSITIONS: 00110101						1D1					
LOOP ENABLE	MIN I/P	RAMP I/P	AUX I/P	+10VDC	AUX SPD I/P	AUX INV SPD I/P	XIP SPD I/P	RAMP OP	DIRECT SPD I/P	MAX REF		SPD O/P	ARM I O/P	ARM I MOD	TACH COM	TACH I/P	SIG COM	AUX TRIP	ARM (-) A-	EARTH GND G	ARM (+) A+	FIELD (-) F-	FIELD (+) F+
7	2	3	6	1	19	20	18	22	70	4		23	21	69	8	9	27	25					

Bardac
 40 Log Canoe Circle, Stevensville, MD 21666
 phone (410) 604-3400 fax: (410) 604-3500
 email: info@bardac.com

SHT. TITLE	__ SECTION DRIVE	CUST.	CUSTOMER NAME	DRN.	ENGR 99 JAN 99	DWG. NO.	HF__
DWG. TYPE	DRIVE ENCLOSURE/PANEL CIRCUIT DIAGRAM	DIST.	DISTRIBUTOR	DESIGN	ENGR 99 JAN 99	DWG. ISS.	
JOB TITLE	SLXLOWHP MODULUS SYSTEM	P.O.	999999	SCALE	DO NOT SCALE	JOB NO.	9__
LOCATION			SITE, STATE, ZIP, PHONE	SIZE	A	SHT.	3 OF 3