

1

2

3

4

A

A

B

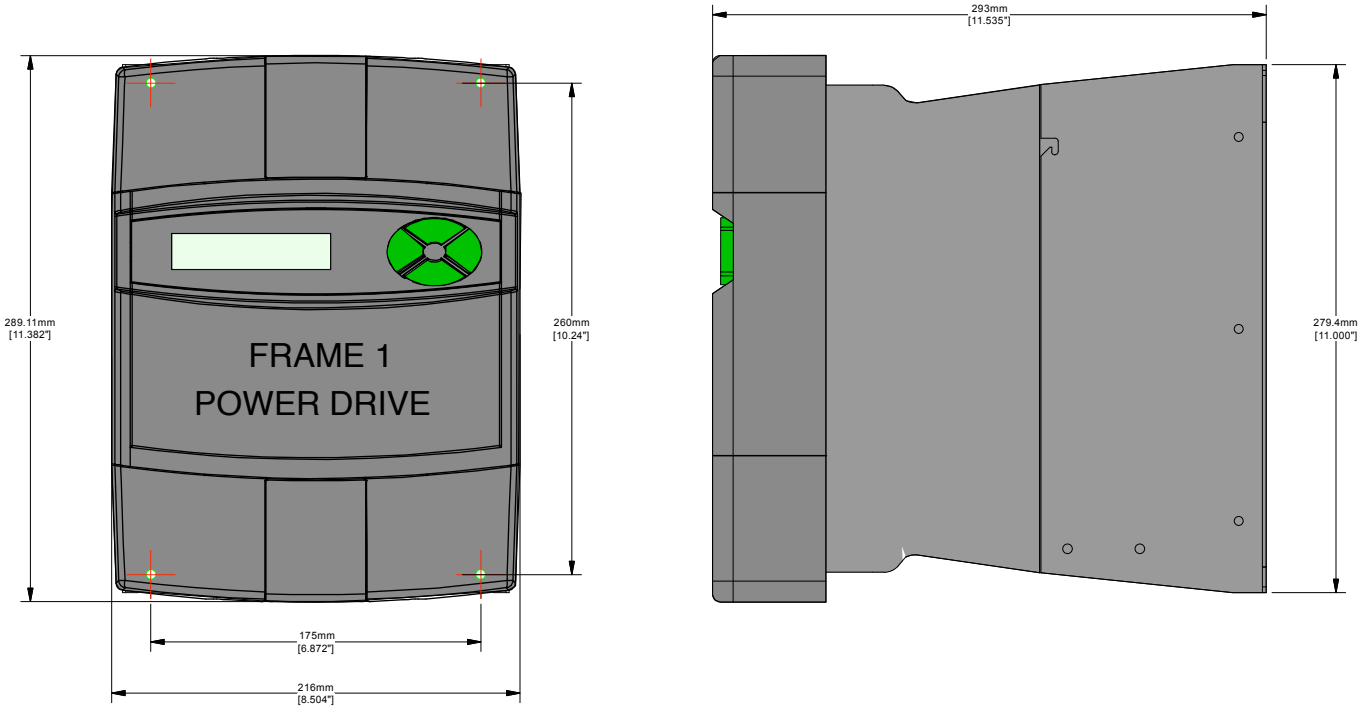
B

C


C

D

D



ISS	DATE	APPROVED	REVISION NOTES
A	26 JUN 14	R. WILLIAMS	ISS SHT DESCRIPTION A ALL PRERELEASE
B	27 JUN 14	R. WILLIAMS	B ALL ADDED RELEASE INFORMATION

 40 Log Canoe Circle, Stevensville, MD 21666 phone (410) 604-3400 fax: (410) 604-3500 email: info@bardac.com	<b>SHT. TITLE</b>	FRAME 1 POWER DRIVE.	<b>MATERIAL</b>		<b>DRAWN</b>	R. WILLIAMS 26 JUN 14	<b>DWG. NO.</b>	HJ503544
	<b>DWG. TYPE</b>	POWER DRIVE TECHNICAL ILLUSTRATION	<b>FINISH</b>		<b>CHECKED</b>	R. WILLIAMS 26 JUN 14	<b>DWG. ISS.</b>	A
	<b>TITLE</b>	PRODUCT ILLUSTRATION	<b>DWG VIEW</b>	3RD ANGLE	<b>APPROVED</b>	R. WILLIAMS 26 JUN 14	<b>SCALE</b>	1:4
	<b>TOLERANCE</b>			1mm	<b>SIZE</b>	A	<b>SHT.</b>	1 OF SHTS

1

2

3

4

L