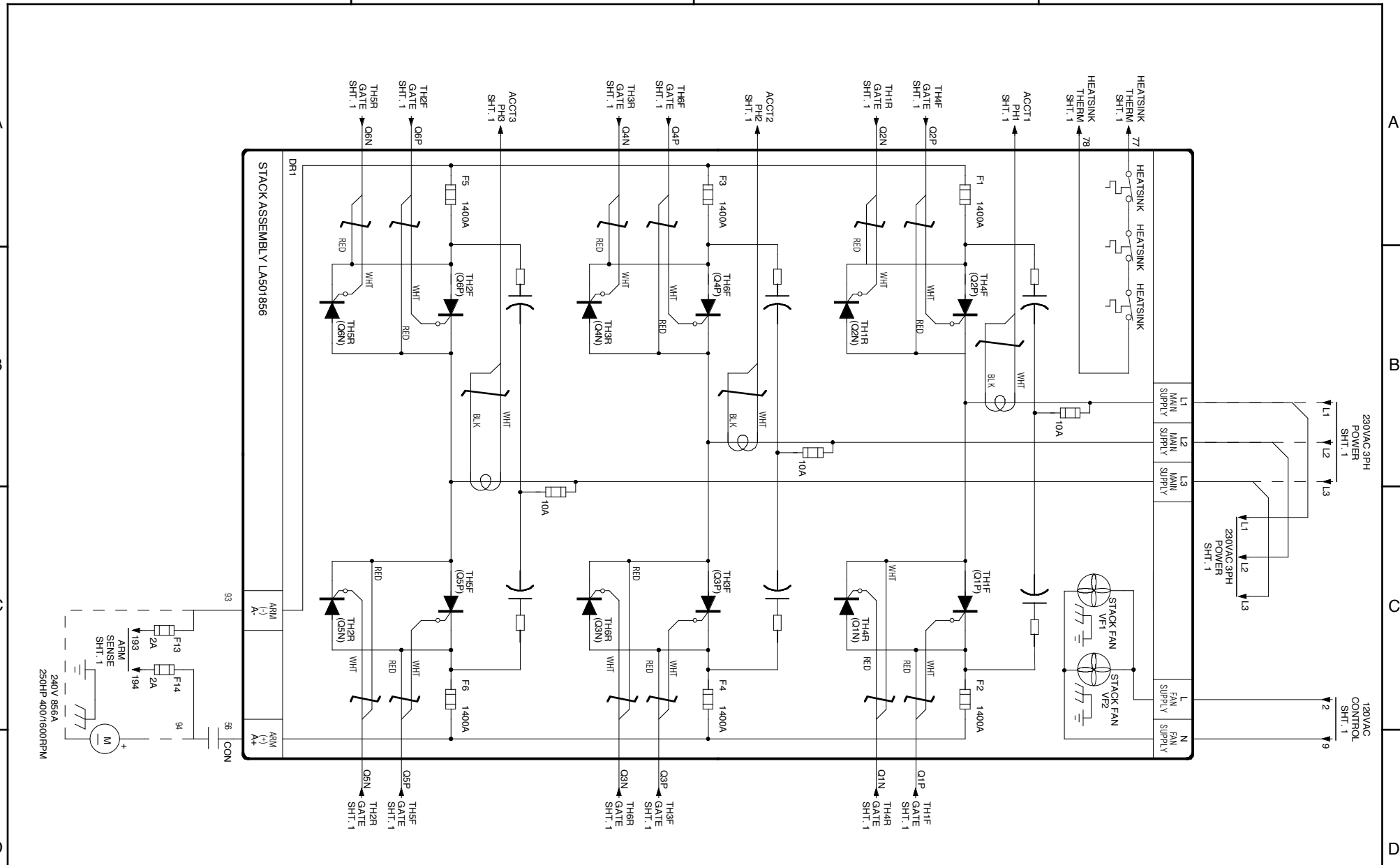


ISS	DATE	APPROVED

<h1>Bardac</h1> <p>40 Log Canoe Circle, Stevensville, MD 21666 phone (410) 604-3400 fax: (410) 604-3500 email: info@bardac.com</p>	SHT. TITLE	DRIVE CONTROLLER	CUST.	ANY CUSTOMER	DRN.	ENGINEER	DWG. NO.	HF
	DWG. TYPE	DRIVE PANEL CIRCUIT DIAGRAM	DIST.		DESIGN	ENGINEER	DWG. ISS.	A
	JOB TITLE	950A DC REGENERATIVE DRIVE PANEL	P.O.		SCALE	DO NOT SCALE	JOB NO.	N/A
	LOCATION				SIZE	PRE	SHT.	1 OF 2



Bardac
 40 Log Canoe Circle, Stevensville, MD 21666
 phone (410) 604-3400 fax: (410) 604-3500
 email: info@bardac.com

SHT. TITLE	SCR STACK	CUST.	ANY CUSTOMER	DRN.	ENGINEER	DWG. NO.	HF
DWG. TYPE	DRIVE PANEL CIRCUIT DIAGRAM	DIST.		DESIGN	ENGINEER	DWG. ISS.	A
JOB TITLE	950A DC REGENERATIVE DRIVE PANEL	P.O.		SCALE	DO NOT SCALE	JOB NO.	N/A
LOCATION				SIZE	PRE	SHT. 2 OF 2	