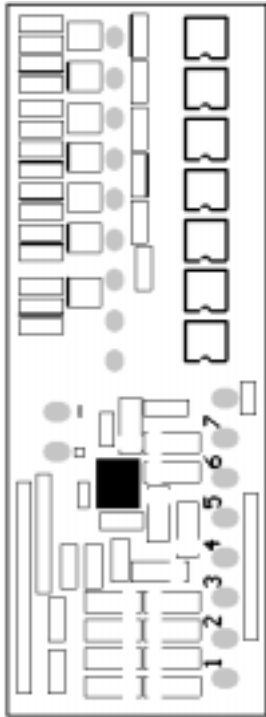




# E-Series Isolated Interface

## 110Vac

### Part No. EI1



4811-072 Rev A

- ◆ 110Vac inputs
- ◆ Provides isolation
- ◆ Direct interface to **E-Series**
- ◆ Uses **E-Series** power supply
- ◆ Fits inside **E-Series** termination area
- ◆ Wide range of working voltages
- ◆ Small and compact

Copyright Bardac Corporation 2004

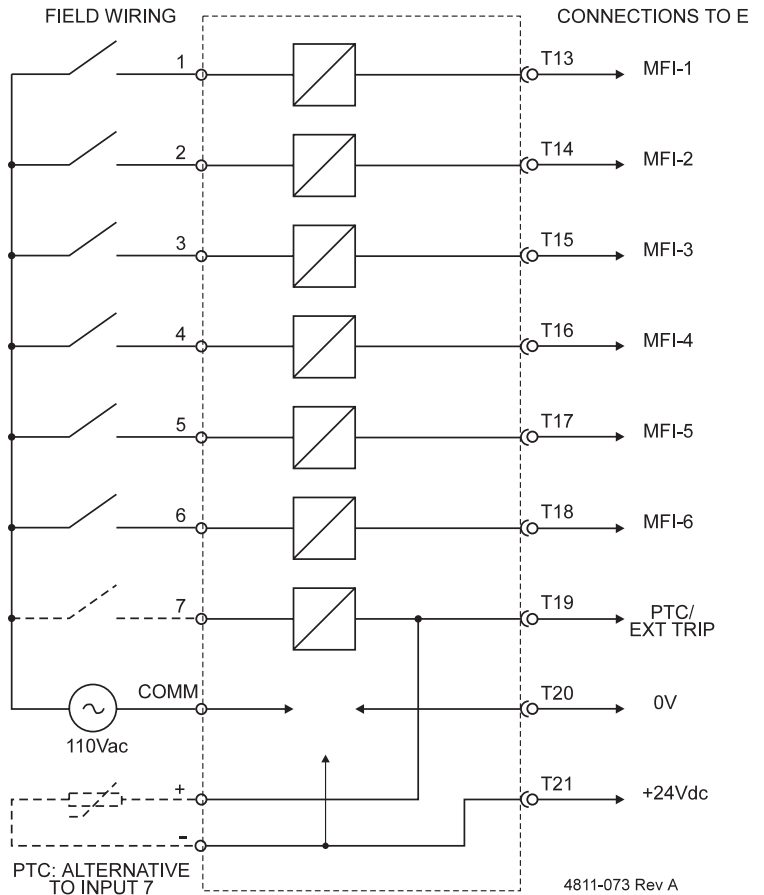
Except for the purpose of supporting products sold by Bardac Drives, reproduction of all or any part of these documents is strictly prohibited.

### 110VAC ISOLATED INTERFACE

The **E-Series** 110Vac Isolated Interface has been specifically designed for use with the **Bardac Drives E-Series** induction motor controller family.

The standard **E-Series** digital inputs are 24Vdc logic which are compatible with clean contact relay logic and transistor PLC outputs.

The **E-Series** 110Vac Isolated Interface enables the user to interface 110Vac control logic levels for the digital control of the **E-Series**. Seven channels are provided. Six channels are for Multifunction Inputs MFI-1 to MFI-6 (**E-Series** terminals T13 to T18 respectively). The seventh channel is for a 110Vac external trip input or for direct connection to a motor positive temperature coefficient thermistor (PTC). This channel is supplied with two sets of terminals - one set for direct connection of a PTC and the other for connection of a 110Vac external trip input. Refer to Figure 1 for details.



4811-073 Rev A

Figure 1: Elite Isolated Interface Connection Diagram

## INSTALLATION

Remove the **E-Series** terminal cover.  
 Remove the green/yellow earth wire from **E-Series** terminal T20. Remove the three three-way connectors plugged into **E-Series** terminals T13-T21 inclusive.

Now fit these connectors to the 9 pins fitted to the terminal side of the Isolated Interface card. Before tightening the connector screws, insert the green/yellow earth wire with the pin into the connector that will be inserted into **E-Series** terminal T20. Refer to Figure 2 for details.

Ensure that the **E-Series** drive is set for Active High.  
 (Screen I7b POLARITY = HI)

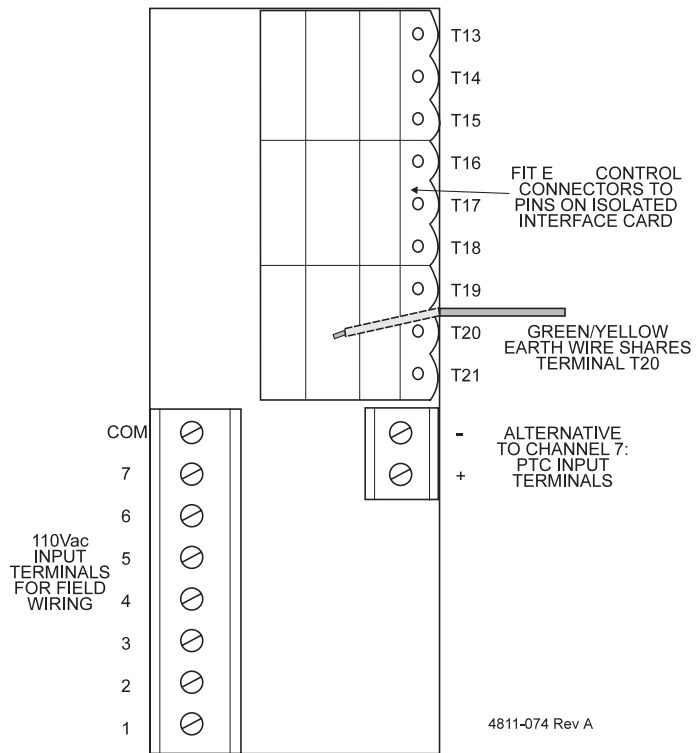


Figure 2: **E-Series** Isolated Interface Terminal Details

## E-SERIES ISOLATED INTERFACE SPECIFICATIONS

### Interface Power Supply

Power Supply Voltage 24Vdc(**E-Series** Supply)  
 Power Supply Current 25mA (Maximum)

### Interface Input Terminals

Input Voltage 110Vac  
 Input Voltage Tolerance -30 to +20%  
 Frequency Range 48 to 62Hz

### Interface Propagation Delay

Input Low to High 4msec (Typical)

### Isolation

Type Optical

### Dimensions

Width 35mm  
 Height 90mm

*Specifications are subject to change without notice.*

4880-012 Rev A

**Bardac Corporation**  
 40 Log Canoe Circle, Stevensville, MD 21666 USA  
 Phone: (410) 604-3400 Fax: (410) 604-3500  
 www.bardac.com