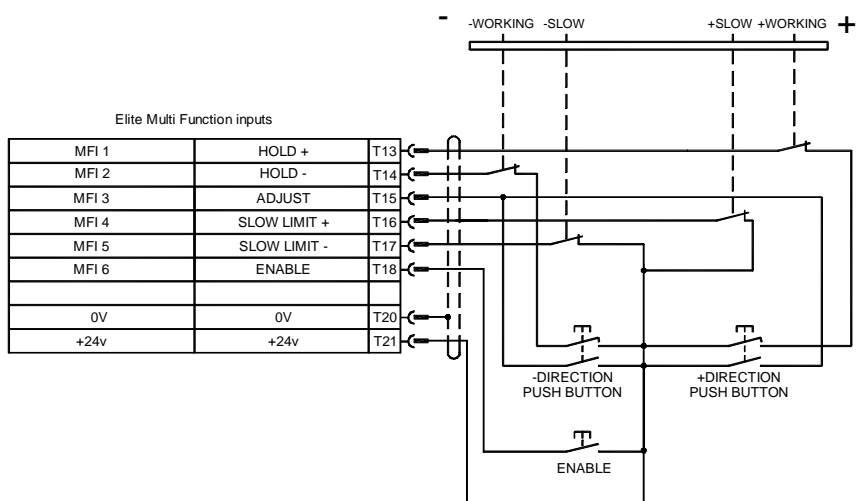
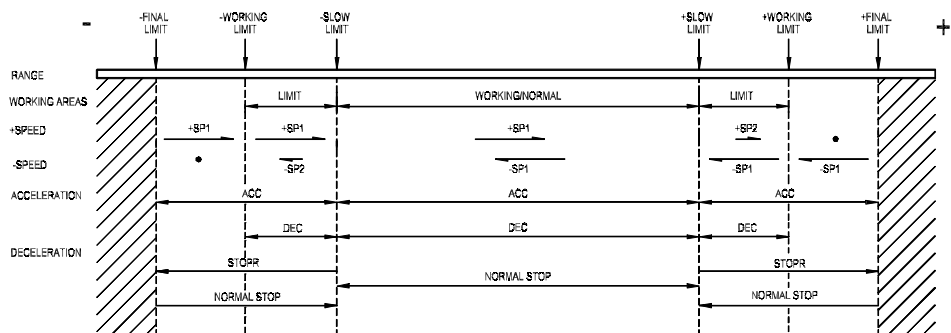


## DOUBLE DETENT CRANE MODE

This simple crane control system is suited to small hoists and long and cross travel. Speed and direction control is by double detent (two-stage action) push buttons. With the Enable contact closed, at closure of the first contact only of the dual action button, the Elite is started and the greater of the current speed or the minimum hold speed (Screen M3) is held. Closure of the second contact causes acceleration in the desired direction. Releasing the dual action button causes the Elite to decelerate and stop. If stopping within the slow or working limits, the Stop Deceleration Rate (Screen R6) is used. Crane brake control can be accomplished using the configurable relays operating as Brake Release or Comparator on the output current. The Elite Keypad fault reset is only available if the pendant is not active.



SCREEN	TITLE	CONTROL	TYPICAL VALUE
M1	M1	SLOW LIMIT SPEED	10%
M2	M2	MAXIMUM SPEED	100%
M3	M3	MINIMUM HOLD SPEED	4%
R6	STOPR	STOP DECELERATION RATE	30 %/s

NOTE: DIRECTION IS PREDEFINED

CRANE STARTED POSITIVE; DRIVEN INTO POSITIVE LIMITS. STARTED NEGATIVE, ENABLE OPENED,  
 DRIVEN INTO NEGATIVE LIMITS; STARTED POSITIVE, STOPPED

